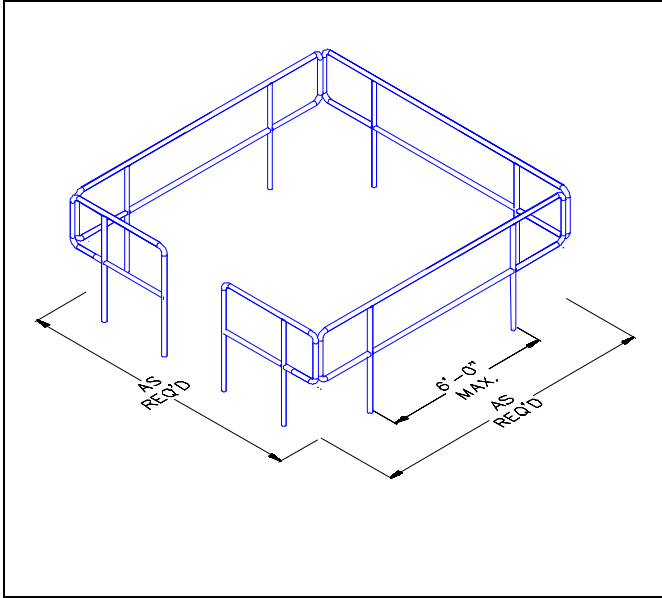




# ASP2BHR

## Two Bar Handrail

## Specification Sheet



**ASP2BHR – Two Bar Handrail** – Is designed to be easily attached to any ASP equipment or work platform. Handrails are attached directly to the platforms by utilizing a receiver that can be welded directly to the platform or can be bolted through the grating floor using angle brackets. Handrails can be manufactured to fit any size platform.

### Materials

**Handrails:** 1-1/2" pipe, welded. A 4" X 4" X 1/4" Angle Clip is welded to Handrails for bolting directly to Platform frame.

**Hardware:** 1-1/2" X 3/4" bolts; 3/4" Nuts available in Hot-Dip Galvanized finish.

**Accessories:** Ladder; stairs; telco rack; gate

### **Installation:**

- A. Verify that roof surface is smooth and clean to extent needed to receive materials.
- B. Review approved final drawings to determine the locations of Handrails.
- C. Clean surfaces to receive Handrails removing any loose gravel and any foreign matter before setting Handrails.
- D. Accurately locate and align pre-fabricated Handrails in locations specified as per approved shop drawings.
- E. If necessary, attach receiver to grating on platform floor using bolts provided.
- F. Place Handrail into receiver.
- G. Repeat until all Handrails supplied are installed in accordance with approved shop drawings.
- H. Remove any unused materials and packaging from job site.

This print/image and design and detail shown hereon is the property of Advanced Support Products, Inc. This print is furnished with the understanding that it is not to be reproduced without permission, and must be returned upon demand. All rights of design and invention are reserved by Advanced Support Products.

Patents #5816554 ; #6229497; #6427965; #6448497; #6578827 © 2010