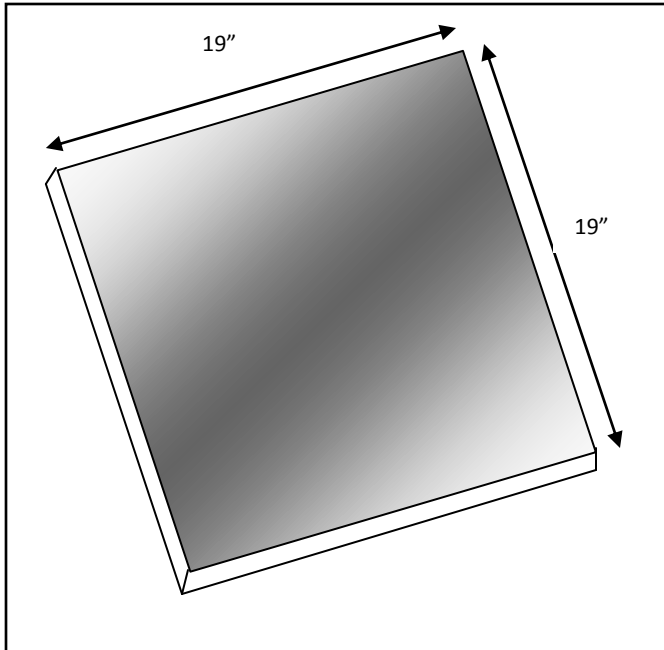




PP1919

Roof Protection Pads

Specification Sheet



PP1919 – Roof Protection Pads – Are designed specifically for use on rooftop without adhesive or damage to roofing system. Designed to be used as a separation sheet placed between the roof and support system when required. Provides added protection to the roof system. Not to be adhered to either roof or support system.



Materials

Roof Protection Pads: Manufactured from Recycled Rubber

LEED: 100% Recycled Rubber – with Binders

Dimensions: Overall 19" X 19" (48.26cm X 48.26cm) square, 3/8" (.953cm) thick

Weight: 4.94 lbs./2.24 kg

Color: Black

Tensile Strength: 350 psi

Installation:

- A. Verify that roof surface is smooth and clean to extent needed to receive materials.
- B. Review approved final drawings to determine the locations of Protection Pads.
- C. Clean surfaces to receive Protection Pads removing any loose gravel and any foreign matter before setting Protection Pads.
- D. Accurately locate and align pre-fabricated Protection Pads in locations specified as per approved shop drawings or as required herein and by site conditions to limit pipe and/or conduit deflection to L/240, not to exceed 10' (3m) on center.
- E. Place Eco-Bloc, Eco-Curb or ASP's 17" circular base in center of Protection Pads, maintaining ample space from edge of Protection Pads.
- F. Do not adhere to roof system or support system.
- G. Repeat until all supports supplied are installed in accordance with approved shop drawings.
- H. Remove any unused materials and packaging from job site.

This print/image and design and detail shown hereon is the property of Advanced Support Products, Inc. This print is furnished with the understanding that it is not to be reproduced without permission, and must be returned upon demand. All rights of design and invention are reserved by Advanced Support Products.

Patents #5816554 ; #6229497; #6427965; #6448497; #6578827 © 2010